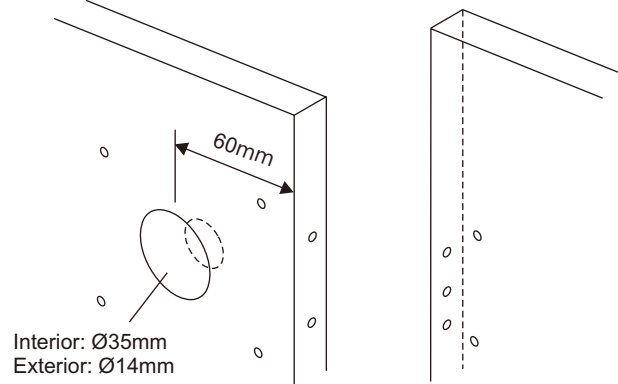


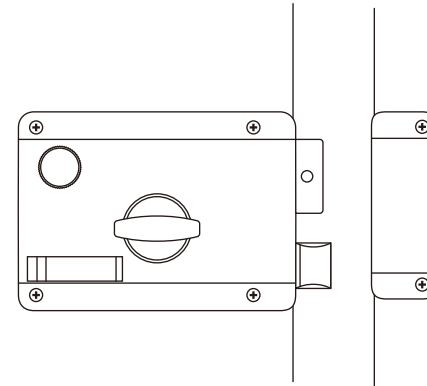
210X148.5mm

### 1 Drill the door bore

Attach the escutcheon if the bore size is  $\text{Ø}35\text{mm}$  on the exterior.

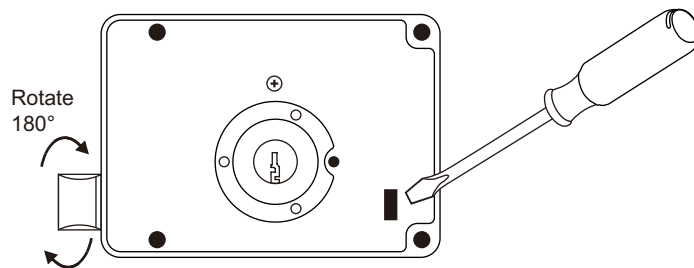


### 2 Installation



### 3 Adjust for door latch directions

Insert a flathead screwdriver to extend the latch and adjust the latchbolt direction according to door opening.



### 4 Adjust for door thickness

Unscrew the cylinder and adjust it to the desired position according to the door thickness.

